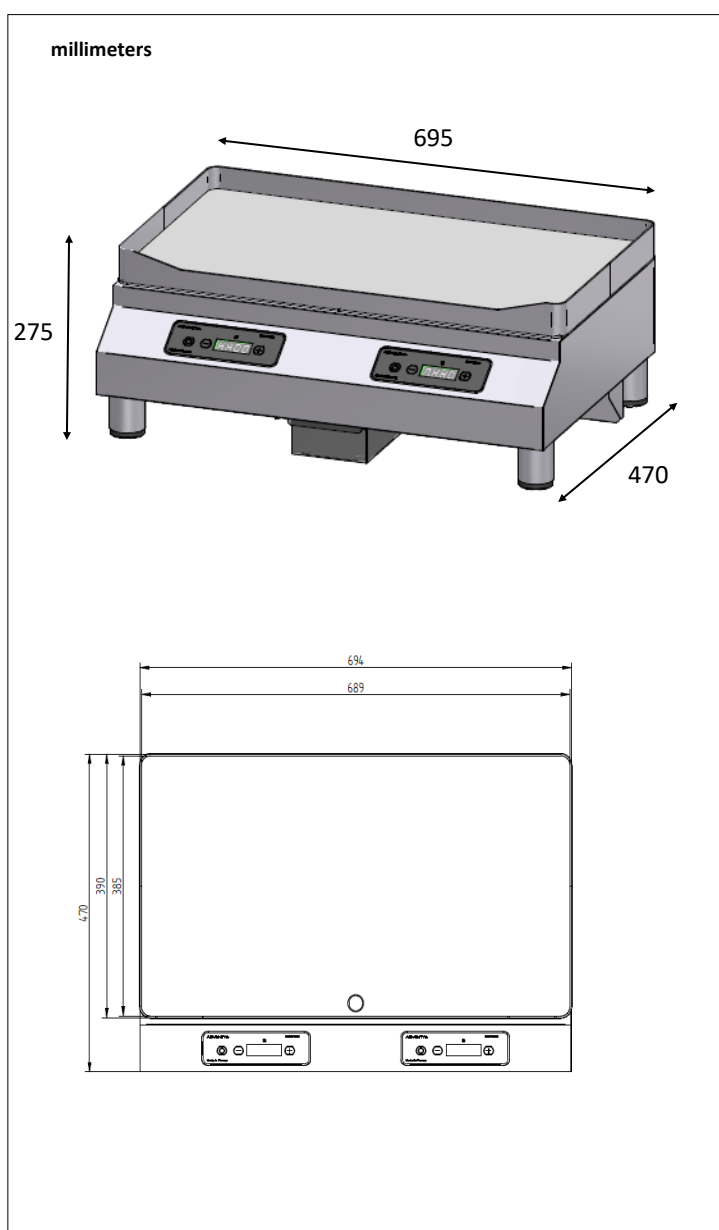


TECHNICAL FEATURES

External structure	AISI 304 stainless steel
Dimensions	665 x 470 x 275
Power	6000W
Cooking surface	Grill surface in a multilayer material
Control panel	Capacitive touches control panel
Amp	13A x2
Functions	(x2) On/Off, manual power and temperature setting (+/-) with 4 digits display.
Power supply	230V AC 35 - 70 Hz
Weight	28 kg kg / 61,7 lbs.
Standards	Complies with European standards for safety of electrical appliances.
Details & Options	Including a power cord and a washable filter (wash regularly).



ADVENTYS
 Route de Pagny - 21250 Seurre - France
 www.adventys.com
 sales@adventys.com
 T: +33 3 80 20 46 15

Important note

Adventys reserves the right to modify specifications without notice.

